

COMMERCIAL DOCUMENTATION



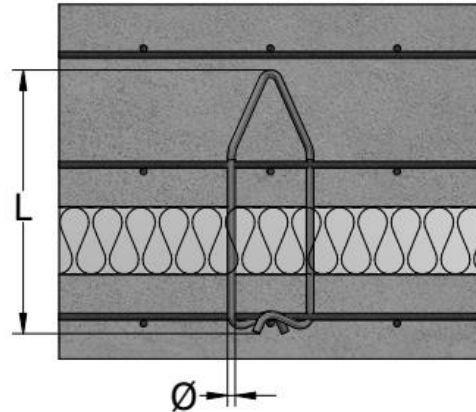
SANDWICH PANEL ANCHOR SYSTEM | **TVB** **PANEL TIE - STICK IN HAIRPIN**



PANEL TIE –STICK IN HAIRPIN "TVB"

The stick in TVB hairpin is made of stainless steel AISI 316 wire (W1.4401 – A4 quality) available in diameters of 3.0 mm, 4.0 mm and 5.0 mm. This hairpin can be used as an alternative to the TVA hairpin.

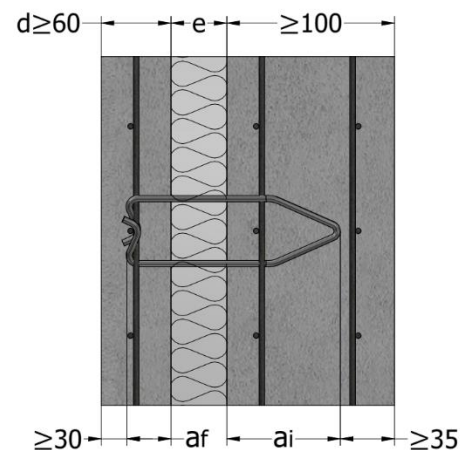
PANEL TIE STICK IN HAIRPIN "TVB"



The available supporting TVB anchors are presented in the table below:

Table 44

Wire diameter Ø mm	Stick in hairpin TVB	Product no.	Length L mm
3	3.0 -150	43390	150
	3.0 -160	65959	160
	3.0 -175	43391	175
	3.0 -180	65960	180
	3.0 -200	43392	200
4	4.0 -160	43393	160
	4.0 -175	43394	175
	4.0 -180	65961	180
	4.0 -200	43395	200
	4.0 -220	46777	220
	4.0 -240	45460	240
	4.0 -250	43396	250
5	5.0 -240	62557	240
	5.0 -250	46778	250
	5.0 -260	62558	260
	5.0 -280	45461	280
	5.0 -300	62559	300
	5.0 -320	62560	320



Note:

$a_f \geq 30 \text{ mm}$, $a_i \geq 65 \text{ mm}$.

$a_f \geq 35 \text{ mm}$ for $d_{min} \geq 70 \text{ mm}$

Concrete quality:

Façade layer $\geq \text{C30/37}$

Load bearing layer $\geq \text{C30/37}$.

Reinforcement:

Reinforcing mesh B500B

Rebar reinforcement B500B

Minimum reinforcement for the façade layer:

Square reinforcement mesh $1.3 \text{ cm}^2/\text{m}$

CONTACT



TERWA is the global supplier for precast and construction solutions with multiple offices around the world. With all our staff, partners and agents, we are happy to provide all construction and precast companies who work in the building industry with full service and 100% support.

TERWA CONSTRUCTION GROUP

Terwa Construction Netherlands (HQ)

Global Sales & Distribution
Kamerlingh Onneslaan 1-3
3401 MZ IJsselstein
The Netherlands
T +31-(0)30 699 13 29
F +31-(0)30 220 10 77
E info@terwa.com

Terwa Construction Central East Europe

Sales & Distribution
Strada Sânzieni
507075 Ghimbav
Romania
T +40 372 611 576
E info@terwa.com

Terwa Construction Poland

Sales & Distribution
Ul. Cicha 5 lok. 4
00-353 Warszawa
Poland
E info@terwa.com

Terwa Construction India & Middle East

Sales & Distribution
India
T +91 89 687 000 41
E info@terwa.com

Terwa Construction China

Sales & distribution
5F 504, No. 101 Chuanchang road
PRC, 200032, Shanghai
China
E info@terwa.com

ALL SPECIFICATIONS CAN BE CHANGED WITHOUT PREVIOUS NOTICE.

DISCLAIMER

Terwa B.V. is not liable for deviations due to wear of the products it has delivered. Neither is Terwa B.V. liable for damage due to inaccurate and/or improper handling and use of the products it has delivered and/or use of same for purposes other than those intended.

Terwa B.V.'s responsibility is furthermore limited in accordance with article 13 of the "Metaalunie" conditions, which are applicable for all Terwa B.V. deliveries. The user is responsible for ensuring compliance with all applicable copyright laws. Without limiting the rights under copyright, no part of this documentation may be reproduced, stored in or introduced into a retrieval system, or transmitted in any form or by any means (electronic, mechanical, photocopying, recording, or otherwise), or for any purpose, without the express written permission of Terwa B.V.